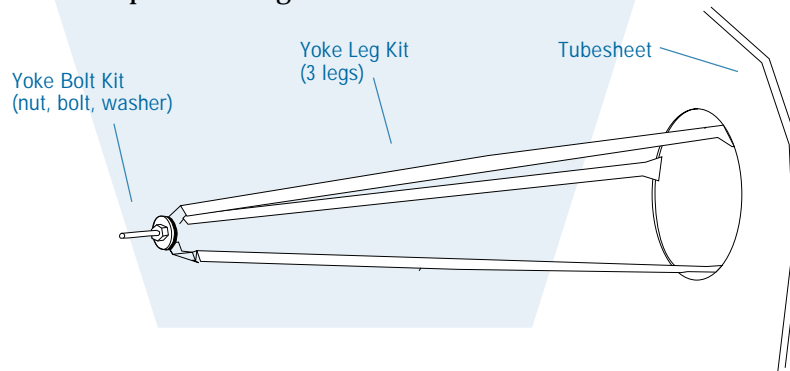


GDX/GTS-1 Filter Retention Replacement Hardware

GDX Support Yokes

Yoke supports are located inside the filter elements on GDX self-cleaning systems, holding them securely to the tubesheet. Inadvertent breakage may occur if someone stands on a yoke during filter change-out. Choose standard low-carbon steel with a zinc coating that resists corrosion, or upgrade to all stainless steel for even better protection against rust.



Replacement Hardware

Part No.	Description	Comments
2SG-53791-02	GDX Yoke Bolt Kit	stainless steel
2SG-53501-02	GDX Yoke Leg Set	stainless steel
2SG-53791-05	GDX Yoke Bolt Kit	steel with zinc flo-coat
2SG-53501-01	GDX Yoke Leg Set	steel with zinc flo-coat

